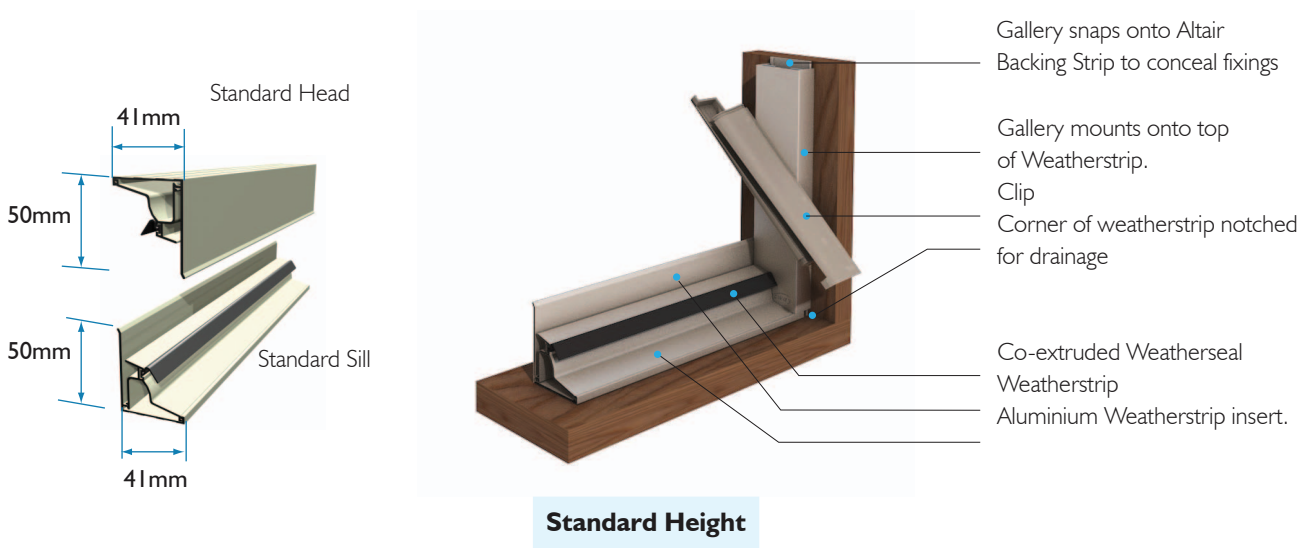
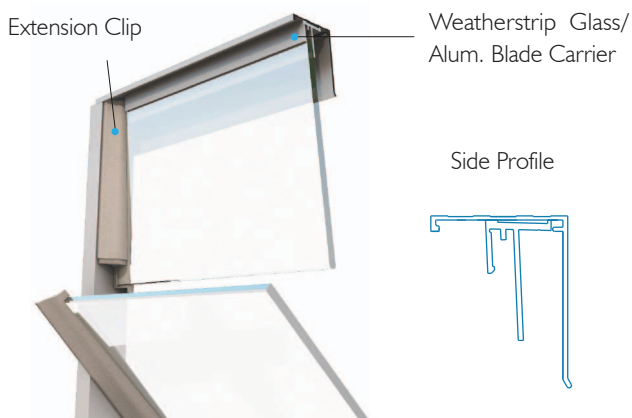


Weatherstrips and Backing Strips

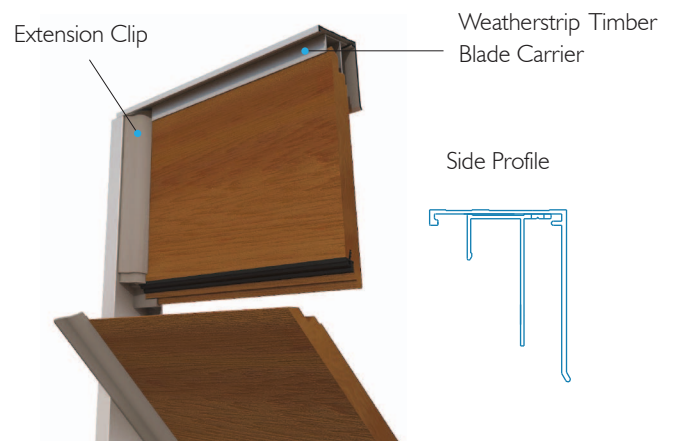


Standard Height



Used in Conjunction with Extended Louvre Channel and Standard Sill

Off Standard Height Head for Glass or Aluminium Blades



Used in Conjunction with Extended Louvre Channel and Standard Sill

Off Standard Height Head for timber blades

- The same Weatherstrip is used on both the head and sill for standard glass, aluminium and timber louvres.
- Off Standard Height Galleries that are within 5mm of a Standard Height Gallery will not have a top fixed blade and will therefore require Standard Height Weatherstrip sets. Off Standard Height Galleries that are more than 5mm greater than or less than a Standard Height Gallery will have a top fixed blade and will therefore require Off Standard Height Weatherstrip sets.
- Altair Weatherstrip does not require notching to accommodate

- the louvre gallery.
- Weatherstrip, complete with seal, must be used in the head and sill to gain manufacturer's performance warranty.
- Weatherstrips to head and sill add 10mm to overall gallery height.